

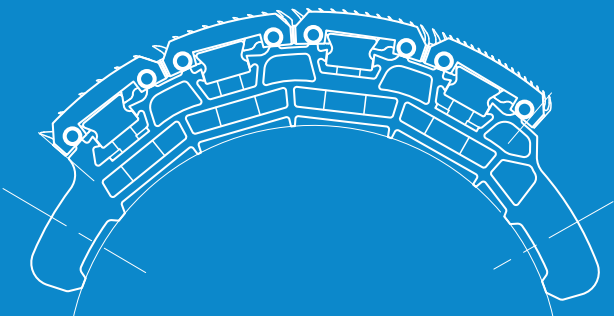
STAEDTLER+UHL



www.staedtleruhl.com

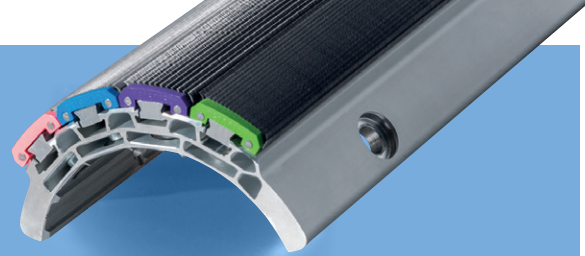
VARIO-Comb®

Combs for all types of
combing machines



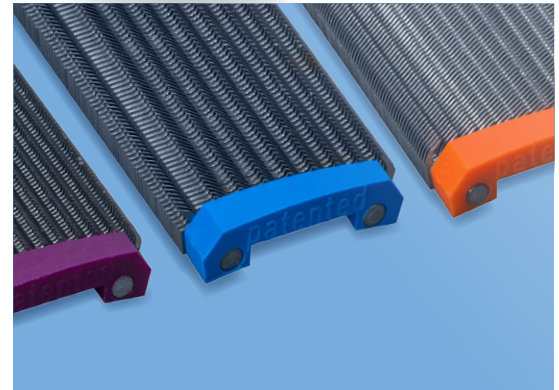
Made in Germany

VARIO-Comb®



VARIO-Comb® Type

Row no.	9065	9075	1260
#1	orange-black	orange-black	orange-black
#2	orange-yellow	orange-yellow	orange-yellow
#3	red-brown	red-brown	red-brown
#4	red-beige	blue-beige	red-beige
#5			blue-beige
total amount of pins:	24.800	25.900	35.700

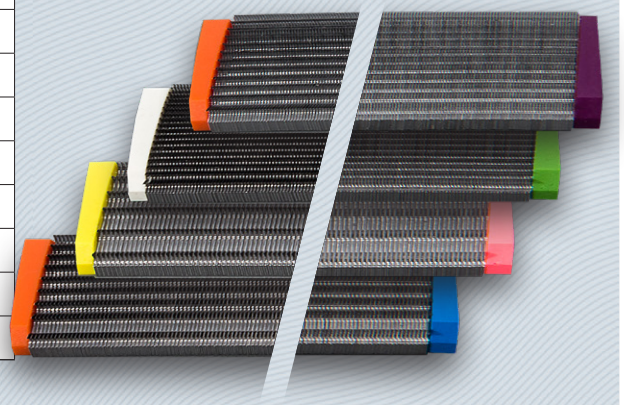


Row no.	9224	9225	9226	9228
#1	yellow-pink	yellow-pink	yellow-pink	yellow-pink
#2	orange-blue	orange-blue	orange-blue	orange-blue
#3	green-lila	orange-lila	orange-lila	green-lila
#4	white-green	white-green	orange-green	orange-green
#5				
total amount of pins:	24.400	25.100	26.200	25.500

- Designed for all available combing machines of all machine manufacturers
- Specially designed basic body HP-type leading to higher stability and reduced comb weight
- Wide range of different pinning densities apart from standard combinations
- Fully hardened VARIO-Bars® to ensure high durability
- Easy to exchange VARIO-Bars® due to VARIO-Comb® fixation
- Long lifetime of the basic body for reduced costs of replacement

Colour codes of VARIO-Bars®

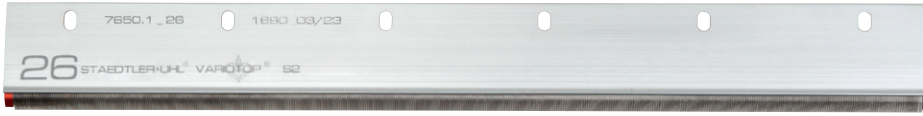
Order #	designation	colours	teeth rows	teeth per cm ²
5025	OR-SC	orange-black	5	25
1025	OR-GE	orange-yellow	10	62
1220	RO-BR	red-brown	12	97
1520	RO-BE	red-beige	15	125
1515	BL-BE	blue-beige	15	139
6035C	GE-RS	yellow-pink	6	32
9025C	OR-BL	orange-blue	9	56
1225C	OR-LI	orange-lila	12	97
1230C	GR-LI	green-lila	12	88
1830C	WE-GR	white-green	18	132
1825C	OR-GR	orange-green	18	145



TOP-Comb



VARIOTOP®



pins/cm	colour
23	Yellow
26	Red
30	Blue
32	Black



- Special design for high speed combing machines
- Reduced weight
- Punched and specially hardened pins for long lifetime of the top comb
- Special bent shape of the pin
- Special surface treatment and polish of the pin for optimized combing results
- Drastically reduced cleaning frequency
- Reinforced ends of the pins for protection

VARIOTOP® VT



pins/cm
26
29
32
35

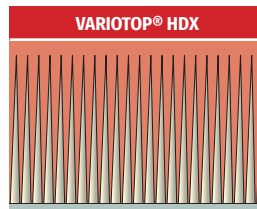
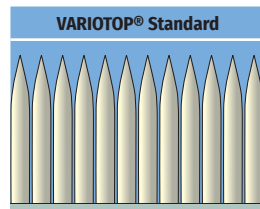


- Punched and specially hardened pins for long lifetime of the top comb
- Special bent shape of the pin
- Special surface treatment and polish of the pin for optimized combing results
- Drastically reduced cleaning frequency
- Reinforced ends of the pins for protection
- Proven glueing technique for increased stability and secure fixation of the pins

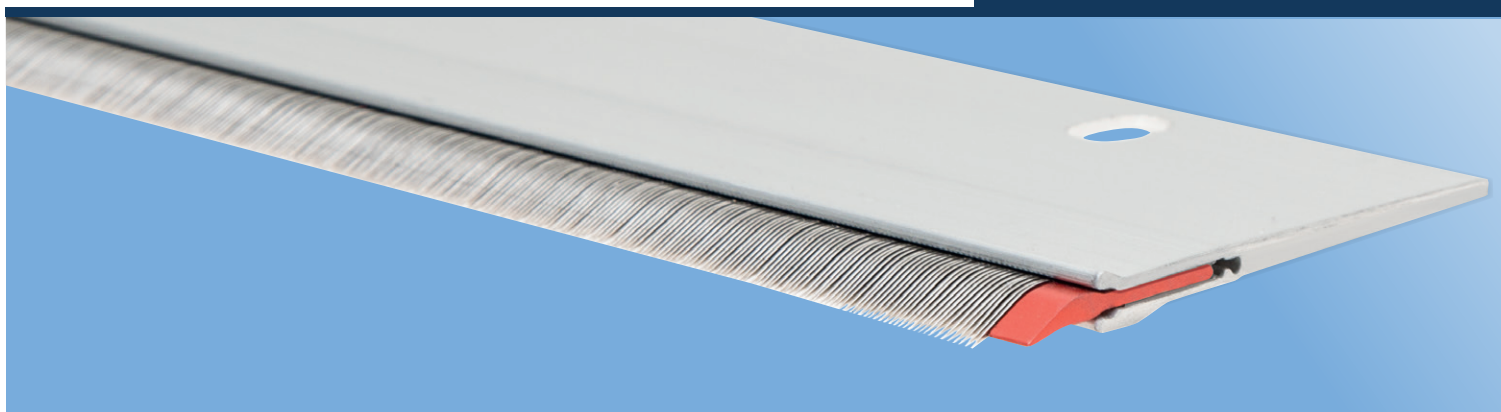
VARIOTOP® HDX



Pinning densities
35/26
35/29
35/32
40/29
40/32



- Reduced wear and tear
- The increased number of pins provides a more effective distribution of the fibres
- Reduced strain onto the single pin
- Reduced free space between the pins compared to standard top combs
- The free space between two pins determines the cleaning efficiency
- Homogeneous combing due to increased specific free space
- Improved combing results of the combing sliver
- The free space between the pins corresponds to the pinning densities 29 or 32 pins/cm



VARIO-TOP® - Top Comb Plates



VARIOTOP® XLR

- Special attached aluminium alloy stiffening bar for maximum increased stability for high speed combing
- Special synthetic material at contact areas in round shape for latest Swiss made combing machines
- High durability
- Special fixation of the reinforcement to the high quality aluminium alloy of the top comb plate
- Cobalt coloured surface for high resistivity



VARIOTOP® XLS

- Special attached aluminium alloy stiffening bar for maximum increased stability for high speed combing
- Special synthetic material at contact areas
- High durability
- Special fixation of the reinforcement to the high quality aluminium alloy of the top comb plate
- Cobalt coloured surface for high resistivity



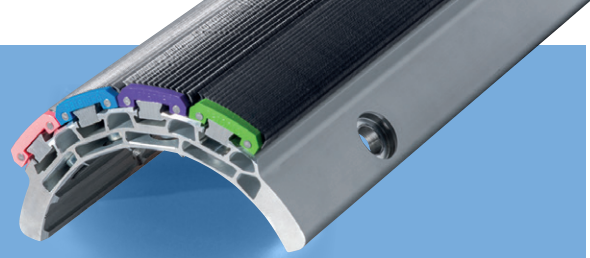
VARIOTOP® XL

- Special synthetic material at contact areas
- Higher durability compared to FX
- Special fixation of the reinforcement to the high quality aluminium alloy of the top comb plate
- Cobalt coloured surface for high resistivity

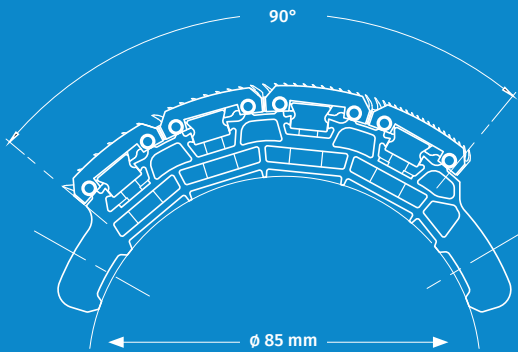
Combine your **VARIO-TOP®** with the **TOP-Comb** of your choice.



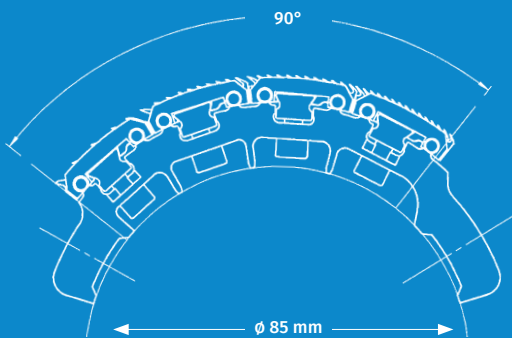
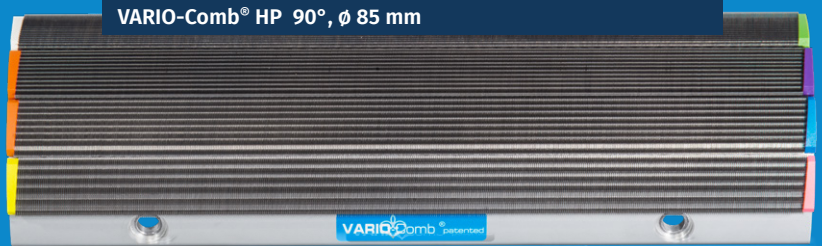
VARIO-Comb®



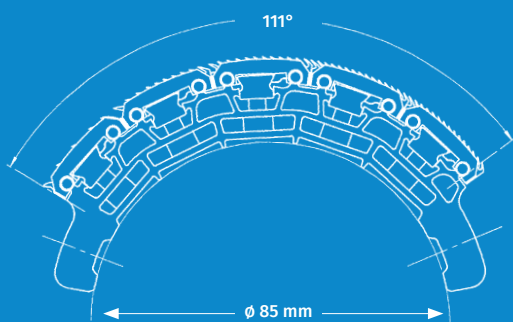
- Engineered to ensure highest capacities
- Quick exchange and fixation of the VARIO-Bar®
- Reasonably priced for improved efficiency
- Made in Germany



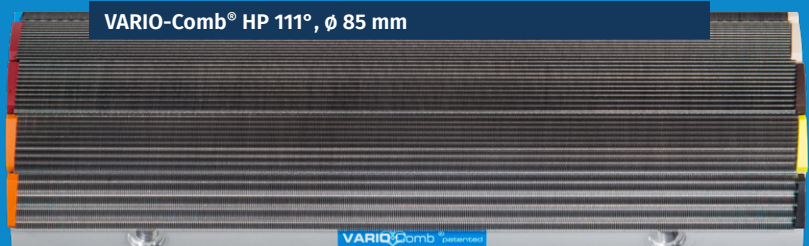
VARIO-Comb® HP 90°, ϕ 85 mm



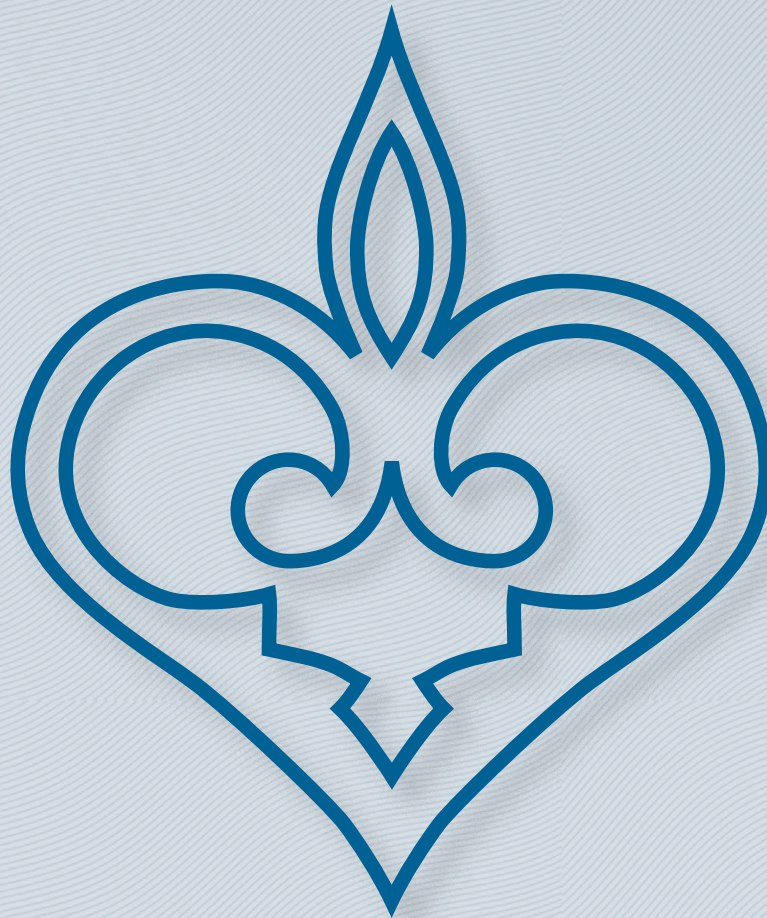
VARIO-Comb® Standard, 90°, ϕ 85 mm



VARIO-Comb® HP 111°, ϕ 85 mm



STAEDTLER+UHL



STAEDTLER + UHL KG

P.O. Box 2160

91111 Schwabach / Germany

Noerdliche Ringstrasse 12

91126 Schwabach / Germany

☎ +49.9122.1860 📠 +49.9122.186-28

✉ staedtl@staedtlruhl.com

🌐 www.staedtlruhl.com

Made in Germany